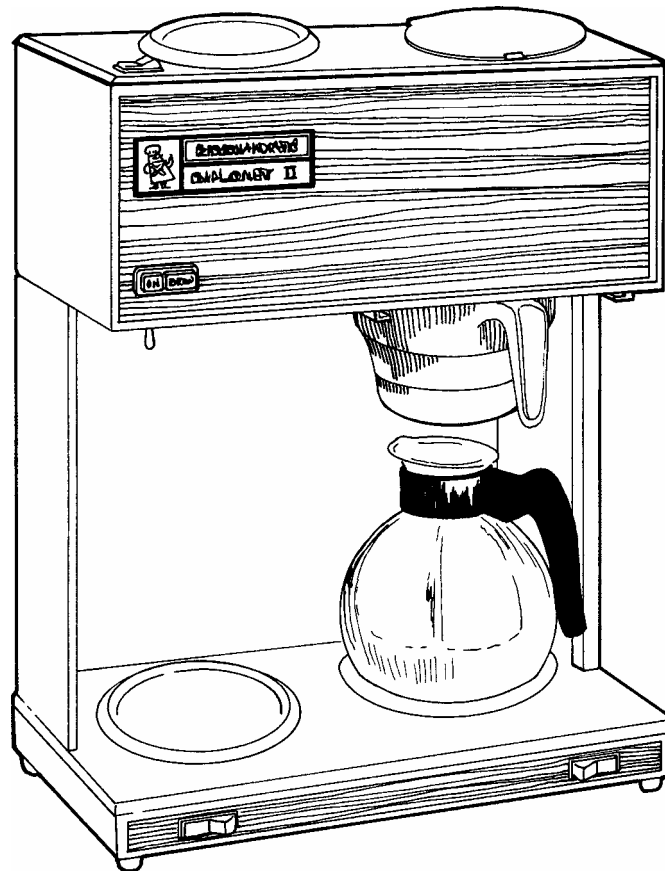


DIPLOMAT II

Pour-Over Coffee Brewer



Model Numbers
1030581 & 1030583



20333 S. Normandie Ave., Torrance, CA 90502
800-421-6860 • 310-787-5444 • Fax 310-787-5412
E-mail: brew@brewmaticusa.com

Parts And Service

Important Information

Read all instructions and safeguards included in the original packaging, and this service manual, carefully and completely before installing, operating or servicing this appliance. Additional copies of installation instructions and service manuals are available upon request.

The proper performance of service is essential for the safe and effective operation of this appliance. Repairs should be performed by qualified service personnel only. If you are unable to, or need help servicing this appliance, contact the nearest Brewmatic Authorized Service Agent or you can contact Brewmatic at 800-421-6860.

Only Authorized Replacement Parts Should Be Used. Part substitutions could create a fire hazard and the risk of personal injury. The use of replacement parts or accessory attachments not recommended by Brewmatic may be hazardous.

Do Not By-Pass Any Safety Mechanisms Or Operate This Appliance Without Covers In Place. Brewmatic requires that all safety devices and covers be in place and functioning at all times to guard against a fire hazard and the risk of personal injury.

Brewmatic Does Not Recommend, And Will Not Furnish Anyone With Information For Changing The Electrical Rating Of Any Appliance Manufactured Or Distributed By Brewmatic. Brewmatic will not approve of any unauthorized changes to the basic design of this appliance. Any modification or alteration to the appliance may create a fire hazard, may create a risk of personal injury, may void the safety listings and may void the warranty.

Plumbing connections - All plumbing connections to water supply lines and drains should be performed by a licensed plumber complying with all applicable plumbing codes having jurisdiction.

Electrical connections - With the exception of cords with plugs already attached, all electrical connections or alterations to the power supply should be performed by a licensed electrician complying with all applicable electrical codes having jurisdiction.

When repairing or replacing internal electrical wiring, in part or in whole, use only terminals and wires with the same rating, gauge and insulation covering.

When calling for information, parts or service, have the model number, serial number, voltage, wattage, phase and date of purchase available. Electrical information may be obtained from the electrical information nameplate located on the appliance.

All procedures, diagrams and specifications contained in this manual are based on the latest information available at the time of publication. Information, parts and specifications are subject to change without notice.

We assume no liability for any damage to person or property caused by the utilization of this publication to effect maintenance or repairs.

Due to periodic reviews and changes in safety listing standards, listings and approvals may change at any time. For current listing and approval information contact Brewmatic.

Appliance Information

Model Number: 1030581
Description: Diplomat II, 2 Station Pour-Over Coffee Brewer
Volts: 120
Watts: 1480
Amps: 12.3
Hertz: 60
Phase: 1

Model: 1030583
Description: Diplomat II, 3 Station Pour-Over Coffee Brewer
Volts: 120
Watts: 1570
Amps: 13.1
Hertz: 60
Phase: 1

Power Supply Cord: 6 ft., 2 wire + ground. 15 amp, 14 awg.
Plug: NEMA 5-15P. Furnished and attached.
Power Supply Required: 120 volts, 15 amp, dedicated circuit.
Wall Receptacle Required: NEMA 5-15R. Not furnished.
Listings: UL 704J, NSF-4

Optional Accessories: 1030801, 3 Station top cover with warmer.

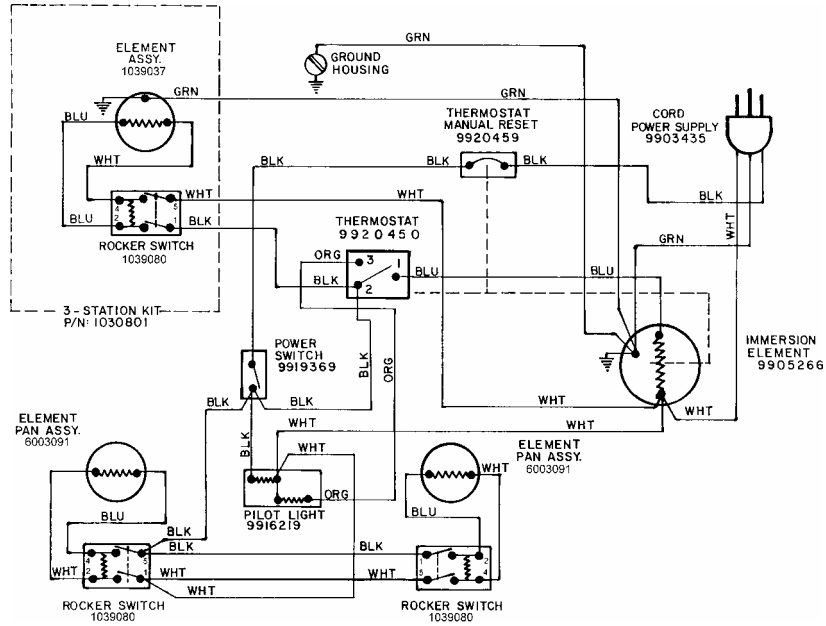
Note: This model is no longer in production.

Additional Information

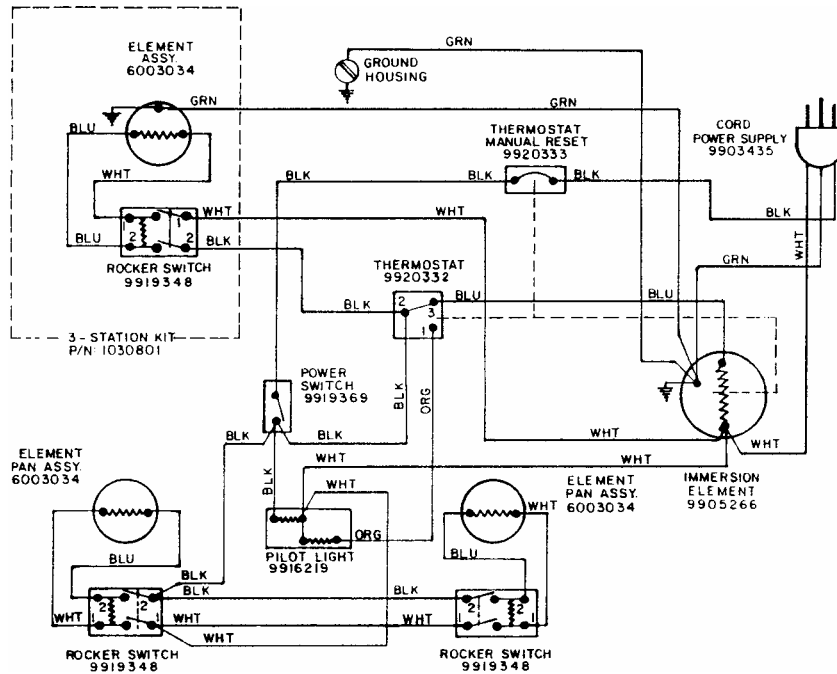
Brewing Capacity: 60 oz. maximum.
Brewing Temperature: Approximately 190°F, maximum. Adjustable.
Temperature Adjustment: ☺ Increase. ☹ Decrease.
Hi-Limit Thermostat: Manual reset. Not adjustable.

Wiring Diagram

Diplomat II Pour-Over Coffee Brewer



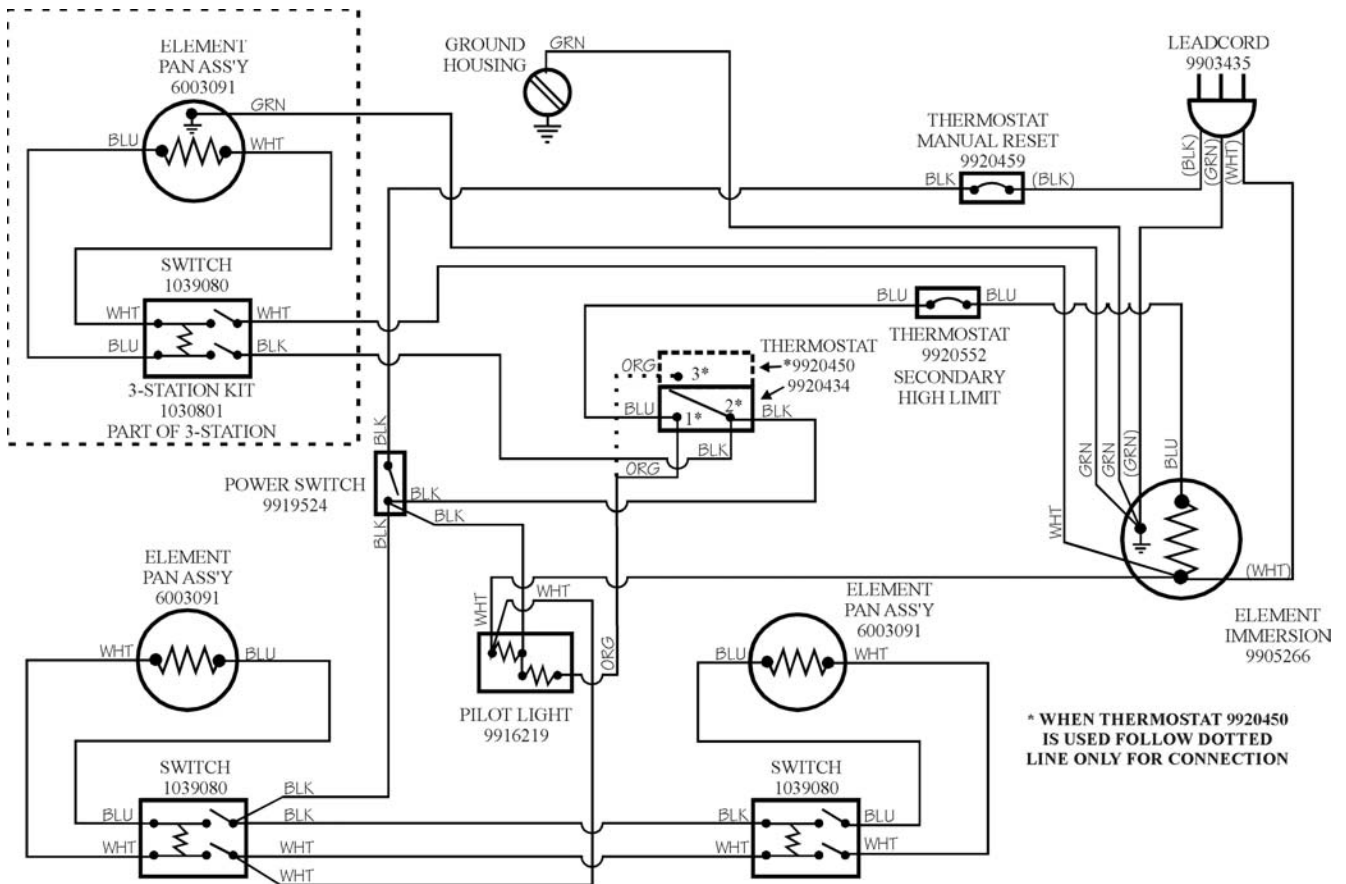
Models With A 9920450S Thermostat.



Models With A 9920332 Thermostat.

Wiring Diagram

Diplomat II Pour-Over Coffee Brewer



Models With A 9920434 Thermostat

Read and follow the cautions below before attempting to service this coffee brewer.

Caution:

Read and verify that the installation instructions have been followed before attempting to operate this appliance. Incorrect installation or operating procedures will void the warranty and may damage this appliance.

Unplug the power supply cord before servicing, unless electrical testing is required. Be certain the power supply is of the correct rating and polarity before connecting the power supply cord. The chassis must be grounded to prevent possible electric shock. Failure to heed this warning may damage this appliance and may cause injury.

This appliance is equipped with an automatic temperature limit control designed to turn the appliance off if it overheats. In that event, do not reset until a qualified service representative has inspected and repaired the appliance. Under no circumstances should the temperature limit control be bypassed or an alternate control used, as a fire risk could result.

Under no circumstance should the hi-limit thermostat be by-passed. In the event of failure the hi-limit thermostat should be replaced. Use only original or authorized replacement parts.

Carefully inspect the internal wiring for wear or damage when servicing. Worn or damaged wiring may cause malfunctions and premature component failures. Replace any wires that have loose connections, damaged insulation or show evidence of overheating. When repairing or replacing internal electrical wiring, in part or in whole, use only terminals and wires with the same rating, gauge and insulation covering.

See the separate instruction sheet that was included with this manual for testing and cleaning the Diplomat model coffee brewers. These instructions contain valuable information on servicing and cleaning that may extend the service life of these brewers.

Symptoms	Solutions
1. The coffee brewer will not operate. The lights and warmers do not work.	Make sure the power supply cord is connected to a proper, working wall receptacle. Make sure the power switch has been turned on. Check the main circuit breaker in the building to see if it has tripped. Reset or replace the hi-limit thermostat. Test the power switch. Replace it if necessary. Check to make sure the internal wiring is correct. Inspect for loose, damaged or overheating wires or terminals. Repair or replace wiring as necessary. Test the power supply cord. Replace it if necessary.

Symptoms	Solutions
<p>2. The coffee brewer will not brew coffee. The lights and warmers work, and the coffee brewer heats.</p>	<p>Water must be poured in to initiate a brew cycle. Pour in approximately 60 oz. of water for each brew cycle. See installation instructions for correct procedures.</p> <p>Inspect and clean the spray head, siphon tube and reservoir down-tube.</p>
<p>3. The coffee brewer takes much longer than normal to heat. The lights and warmers work.</p>	<p>Test the thermostat. Replace it if necessary.</p> <p>Test the voltage supply. The voltage supplied should match the voltage requirement on the electrical nameplate.</p> <p>Test the immersion element. Replace it if necessary.</p> <p>Check to make sure the internal wiring is correct. Inspect for loose, damaged or overheating wires or terminals. Repair or replace wiring as necessary.</p>
<p>4. Primary or secondary hi-limit thermostats keep activating.</p>	<p>Machine power has been left on overnight or for a long period of time without being used. Refill tank with water and wait for machine to reach operating temperature.</p> <p>Note: Turn machine off overnight or when not in use for a long period of time.</p> <p>Test the hi-limit thermostat. Replace it if necessary.</p> <p>Test the thermostat. Replace it if necessary.</p> <p>Inspect the wiring on the hi-limit thermostat for loose, damaged or overheating wires or terminals. Repair or replace wiring as necessary.</p> <p style="text-align: center;">WARNING</p> <p>Under no circumstance should the hi-limit thermostat be by-passed. In the event of failure, the hi-limit thermostat should be replaced. Use only original or authorized replacement parts.</p>
<p>5. The coffee brewer trips the buildings circuit breaker.</p>	<p>Too many appliances are connected on one electrical circuit.</p> <p>The electrical circuit's amperage rating may be too low. Locate a correctly rated circuit or call an electrician to correct this problem.</p> <p>This coffee brewer may require a dedicated wall circuit. Check the electrical specifications.</p> <p>Check to make sure the internal wiring is correct. Inspect for loose, damaged or overheating wires or terminals. Repair or replace wiring as necessary.</p> <p>Inspect the immersion element for damage. Replace it if necessary.</p>

Symptoms	Solutions
<p>6. The brewing temperature is either too hot or too cold.</p>	<p>The thermostat bulb must be in its clip and attached to the immersion element correctly.</p> <p>Inspect the thermostat bulb for excessive lime buildup. Clean if necessary.</p> <p>Adjust or replace the thermostat. Turn the adjustment screw counter-clockwise to increase the temperature, clockwise to decrease. Turn the adjustment screw a maximum of 1/8 turn per adjustment. Retest and adjust again if necessary. The recommended temperature is approximately 190°F. Test below the brew cone with water only.</p> <p style="text-align: center;">WARNING:</p> <p>If the thermostat cannot be adjusted properly it should be replaced. The thermostat is calibrated at the factory and no attempt should be made to recalibrate it. Use only original or authorized replacement parts.</p> <p>Check to make sure the internal wiring is correct. Inspect for loose, damaged or overheating wires or terminals. Repair or replace wiring as necessary.</p>
<p>7. The brewing cycle is too slow.</p>	<p>Inspect and clean the spray head, siphon tube and reservoir down-tube.</p>
<p>8. The beverage level is inconsistent.</p>	<p>Inspect and clean the spray head, siphon tube and reservoir down-tube.</p> <p>Make sure the pour-through lid is closed when not in use.</p> <p>Make sure the top cover and element gaskets are in place correctly and are in good condition.</p> <p>Adjust or replace the thermostat. (See #6.)</p>
<p>9. Water drips from the spray head for a long time after the brew cycle is finished.</p>	<p>Inspect and clean the spray head, siphon tube and reservoir down-tube.</p> <p>Inspect the o-ring on the siphon tube for leaking.</p> <p>Adjust or replace the thermostat. (See #6.)</p>
<p>10. Parts are failing frequently.</p>	<p>Check to make sure the internal wiring is correct. Inspect for loose, damaged or overheating wires or terminals. Repair or replace wiring as necessary.</p> <p>Test the voltage supply. The voltage supplied should match the voltage requirement on the electrical nameplate.</p> <p>Test the wall receptacle for correct polarity.</p> <p>Use only original, or authorized, replacement parts.</p>

Symptoms	Solutions
<p>11. Water leaks from the bottom of the housing.</p>	<p>Inspect and clean the spray head, siphon tube and reservoir down-tube.</p> <p>Inspect the o-ring on the siphon tube for leaking.</p> <p>Make sure the top cover and element gaskets are in place correctly and are in good condition.</p> <p>Inspect the housing for damage or cracks.</p>
<p>12. The warmers will not heat.</p>	<p>Test the warmer switch. Replace it if necessary.</p> <p>Check to make sure the internal wiring is correct. Inspect for loose, damaged or overheating wires or terminals. Repair or replace wiring as necessary.</p> <p>Test the warmer element. Replace it if necessary.</p>
<p>13. The coffee tastes weak or does not taste good.</p>	<p>Inspect and clean the spray head, siphon tube and reservoir down-tube.</p> <p>The spray head should be in place and clean for proper coffee extraction.</p> <p>Clean the area above the brew cone regularly.</p> <p>Test the brewing temperature. Adjust if necessary. (See #6.)</p> <p>Adjust the amount of ground coffee being used or adjust the grind of the coffee. Too much coffee, or coffee that is ground too fine, may affect the flow of the water through the coffee.</p> <p>Make sure that the paper filter being used is correct for this type of coffee brewer.</p>
<p>14. There are coffee grounds in the brewed coffee.</p>	<p>Inspect the brew cone for wear or damage. Replace it if necessary.</p> <p>Adjust the amount of ground coffee being used or adjust the grind of the coffee. Too much coffee, or coffee that is ground too fine, may affect the flow of the water through the coffee.</p> <p>Make sure that the paper filter being used is correct for this type of coffee brewer.</p> <p>Two paper filters may have been used accidentally. Use only one filter per brew cycle.</p> <p>Fine grind coffees and water softening systems may affect the way the water flows through the coffee and brew cone, and may cause coffee grounds to show up in the brewed coffee. There are several options available to help solve this problem: Extended brew spray heads, wide base brew cones or a paper filter designed for faster water flow. Call Brewmatic for complete details and options.</p>

Thermostat Change

Diplomat II Pour-Over Coffee Brewer

To Replace The 9920332 Thermostat and 9920450 Thermostat with the 9920434 Thermostat

Instructions:

NOTE: Refer to attached wiring diagram before proceeding with instructions

1. Locate pilot light (#9916219). Connect the pilot light wires according to the wiring diagram. (Photo 1)
2. Remove thermostat capillary tube from immersion element.
3. Remove old wires from old thermostat.
4. Discard old thermostat.
5. Mount the new thermostat and attach capillary tube to immersion element.
6. Locate blue wire from the secondary Hi-Limit Thermostat (# 9920393), orange wire from pilot light (#9916219) and connect both wires to terminal #1 of the 9920434 thermostat.
7. Locate black wire that originated from power switch and connect to terminal #2 on the 9920434 thermostat.
8. If equipped with top warmer, connect the black wire from the warmer switch to terminal #2 on the 9920434 thermostat.

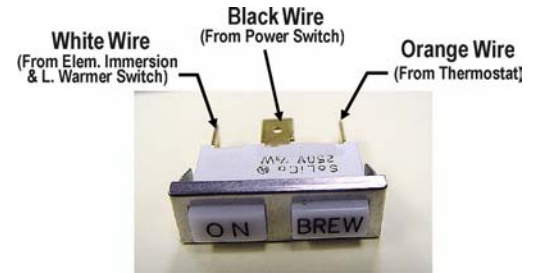


Photo 1

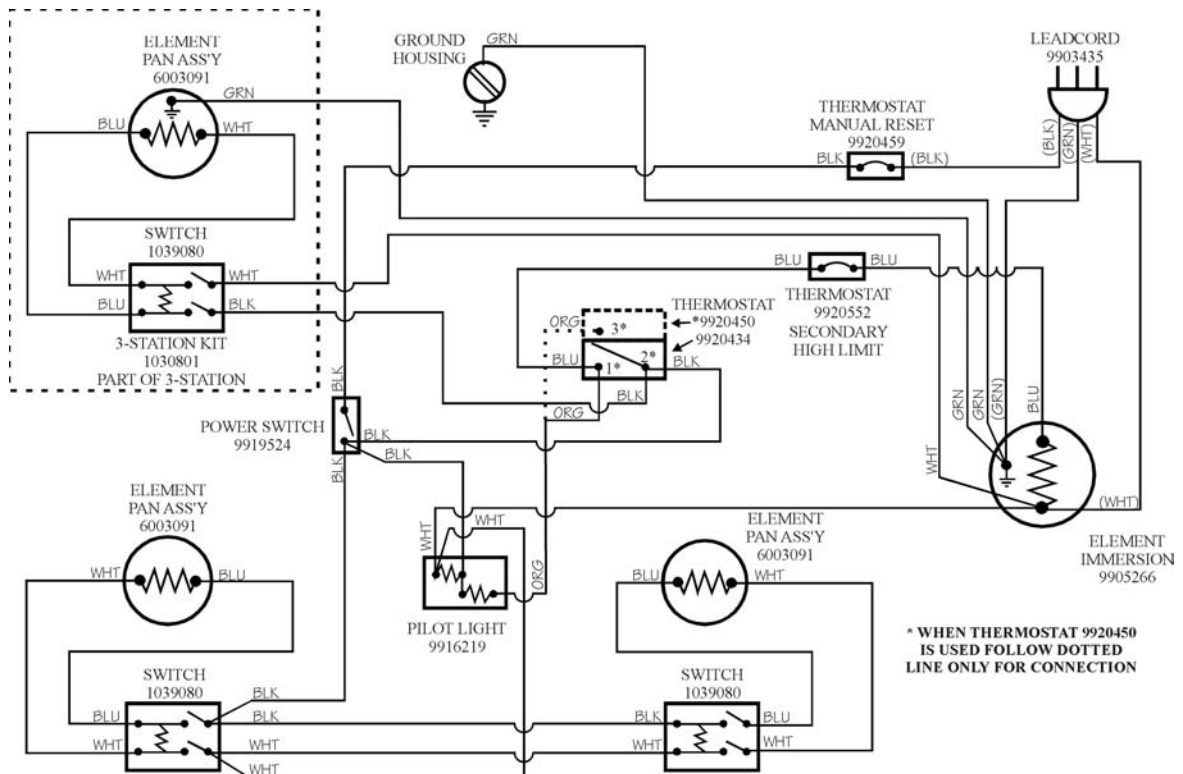
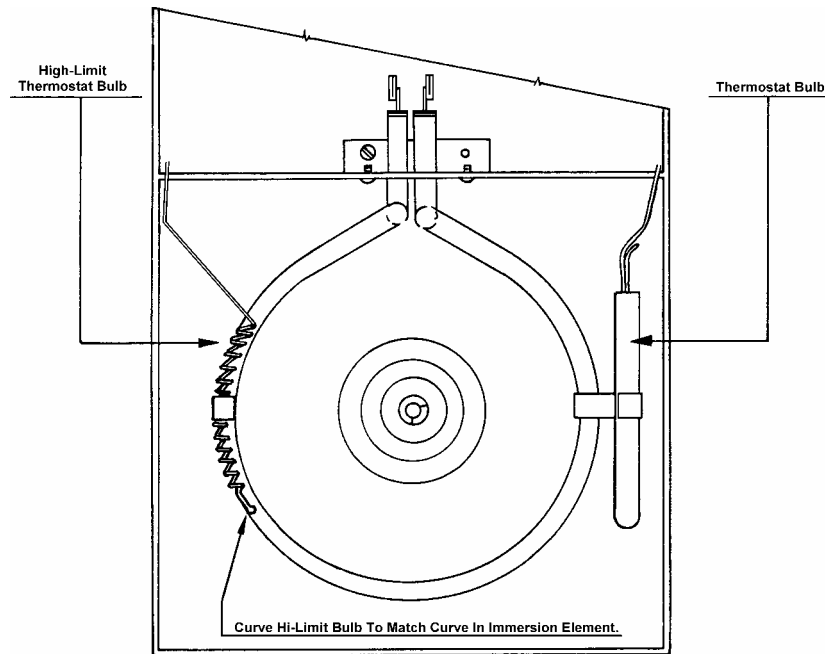
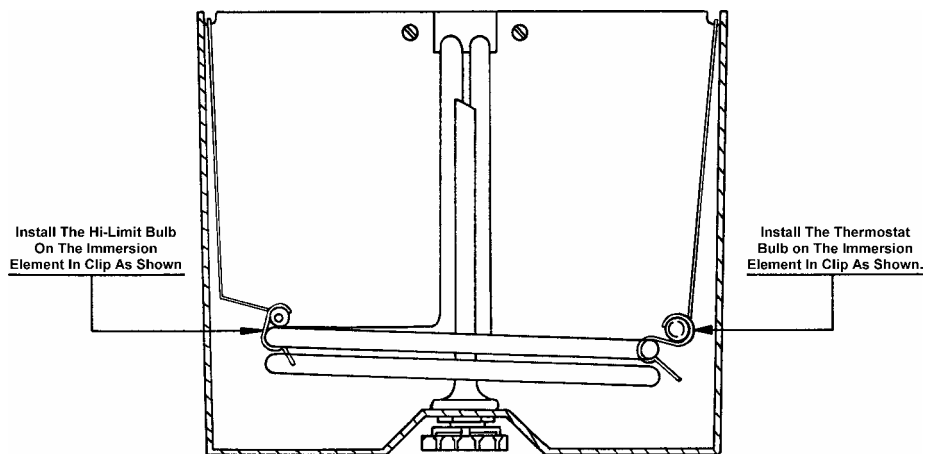


Diagram For The Proper Positioning Of The Thermostat And High Limit Thermostat Bulbs.



Top View

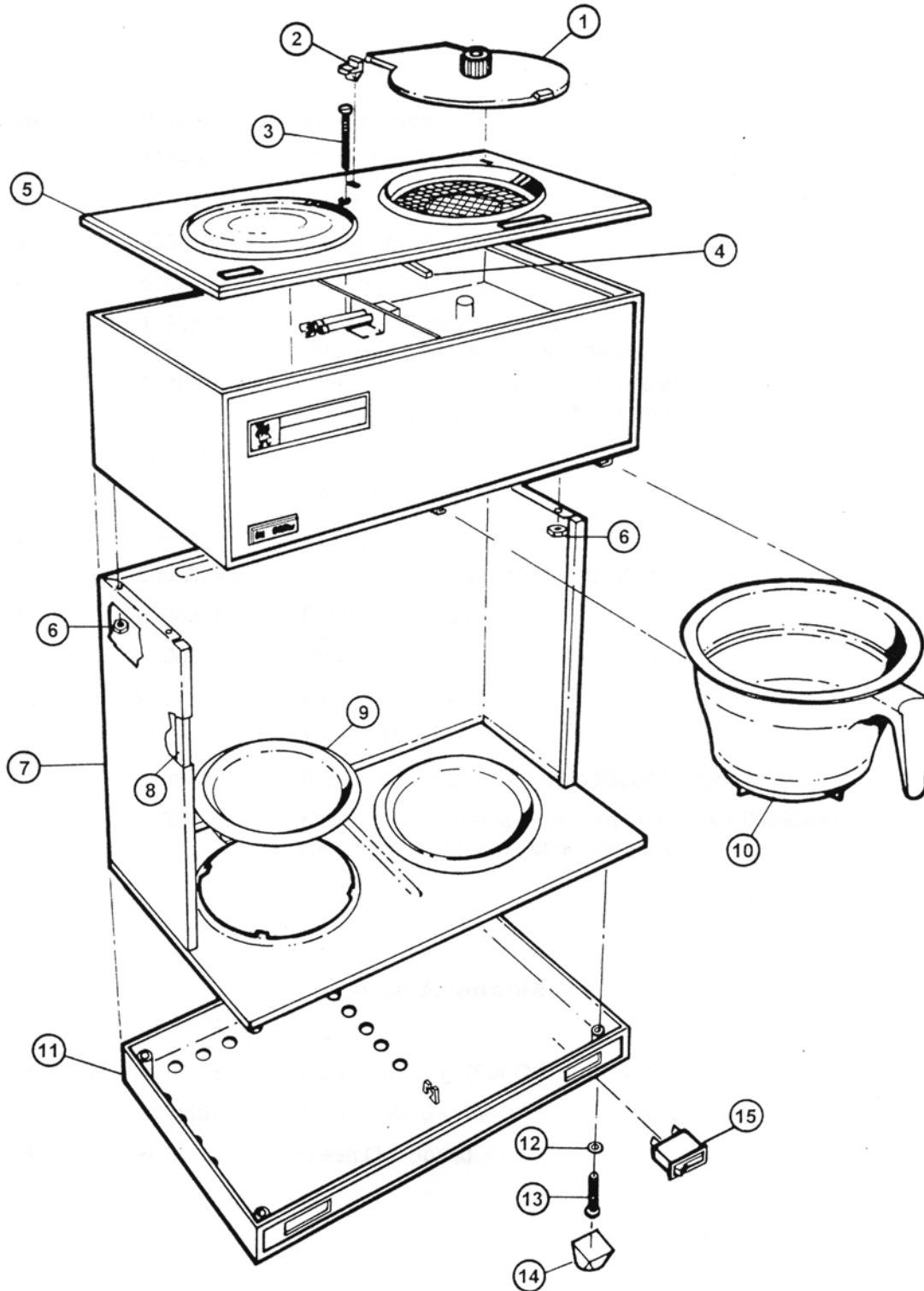


Right Side View From Inside Housing

WARNING

The thermostat and high limit thermostat bulbs must be correctly positioned in their clips and installed correctly on the element for proper operation and safety.

Parts Diagram - Final Assembly Diplomat II Pour-Over Coffee Brewer



Parts List – Final Assembly

Diplomat II Pour-Over Coffee Brewer

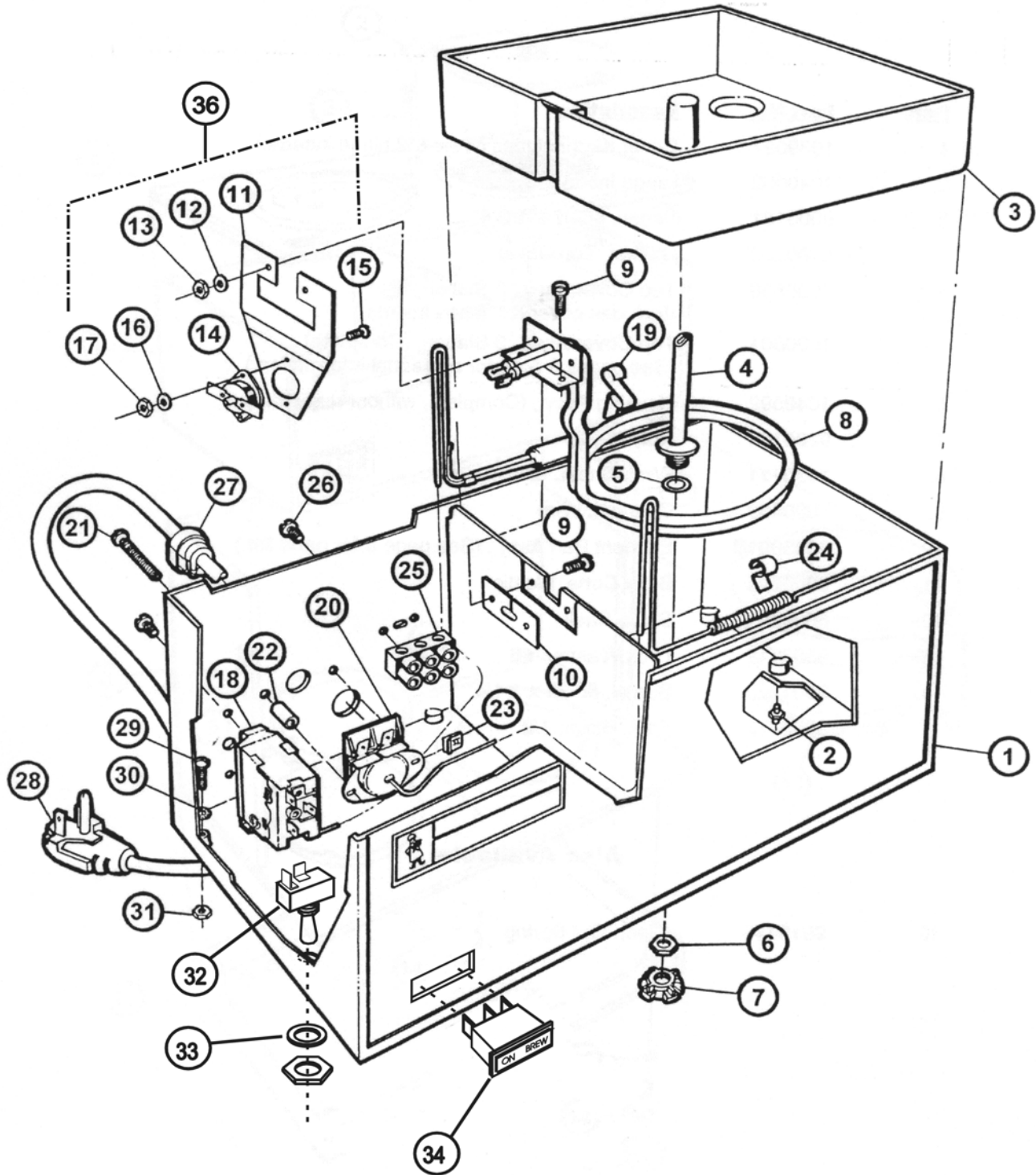
<u>Item</u>	<u>Part No.</u>	<u>Description</u>
1.	1039027	Cover Kit, (Includes cover & 2 hinge inserts.)
2.	1040062	Hinge Insert
3.	9003131	Screw, #6-32 x 1-3/4"
4.	6000282	Gasket, Top Cover
5.	1030856	Top Cover Assy., 2 Station (Includes cover & 2 hinge inserts.)
	1030801	Top Cover Assy., 3 Station, (Complete) (See pages 9 & 10 for additional information.)
6.	9205104	Nut, #6-32
7.	1030711	Wrap Sheet, S/S
8.	1030439	Channel, Wire
9.	6003091B	Element Pan Assy. (See page 8 for parts list.)
10.	6000225	Brew Cone, Plastic
11.	6000328	Stove Shell
12.	9303119	Lock Washer, #6
13.	9001228	Screw, #6-32 x 1-1/4"
14.	9906472	Foot, Black, 1/2", (Replaces 9906407, foot, brown.)
15.	1039080	Rocker Switch Replacement Kit, (Replaces 9919348) (See page 12 for additional information.)

Also Available:

16.	9916218	Clean Out Plug, (For O/S top covers.)
17.	9006102	Screw, #8-18 x 3/8", (For O/S housing mounting.)
18.	9919445	Clean Out Spring

Parts Diagram - Housing Assembly

Diplomat II Pour-Over Coffee Brewer



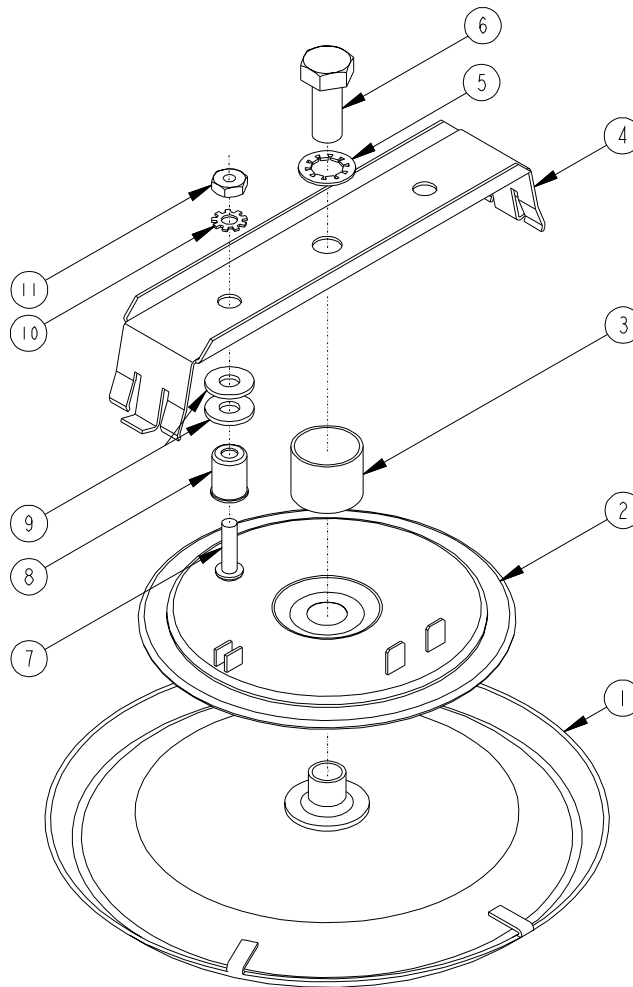
Parts List - Housing Assembly

Diplomat II Pour-Over Coffee Brewer

Item	Part No.	Description
1.	1030411	Housing, Diplomat II, (Housing only, no controls.)
2.	6000514	Mid-Hex Screw, #6-32 x 1/4" Hex
3.	1040045	Reservoir, (For use with plastic siphon tube.)
	1030410	Reservoir, (For use with older metal siphon tube.)
4.	1039028	Siphon Tube Kit, Plastic, (Includes items 5 & 6.)
5.	9915144	"O"-Ring
6.	9202122	Hex Nut, 1/8"-27
7.	1040142	Spray Head, Plastic, (Brown)
8.	9905266	Immersion Element, 120v 1300w
9.	9001226	Screw, #6-32 x 5/16"
10.	6000274	Gasket, Immersion Element
11.	6000648	Bracket, Secondary Hi-Limit
12.	9301201	Washer #6
13.	9201113	Nut, Hex #6-32
14.	9920552	Hi-Limit Thermostat
15.	9001244	Screw, #4-40 x 1/4"
16.	9303128	Lock Washer W/Int Tooth #4
17.	9201128	Nut, Hex #4-40
18.	9920434	Thermostat, (Replaces 9920450 & 9920332) (See Page 10 for additional information.)
19.	6000363	Clip, Thermostat Bulb
20.	9920459	Hi-Limit Thermostat, (Replaces 9920333) (See Page 14 for additional information.)
21.	9001136	Screw, #6-32 x 1"
22.	1040010	Spacer, Hi-limit Thermostat
23.	9914285	Push-On Nut, Tinnerman, #6
24.	6000364	Clip, Hi-Limit Thermostat Bulb
27.	9902361	Bushing, Strain Relief
28.	9903435	Cord, Power Supply
29.	9001142	Screw, #6-32 x 7/8"
30.	9303118	Lock Washer, External Tooth, #8
31.	9201152	Nut, #6-32
32.	9919524	Toggle Switch, (On-Off)
33.	9303113	Lock Washer
34.	9916219	Light, (On-Brew)
35.	1030997	Grounding Plate (Not Shown - Placed under Item #32)
36.	1039091	Kit, Secondary Hi-Limit (Include Items 11, 12, 13,14,15,16 & 17)

**Parts List – Element Pan Assy.
Diplomat II Pour-Over Coffee Brewer**

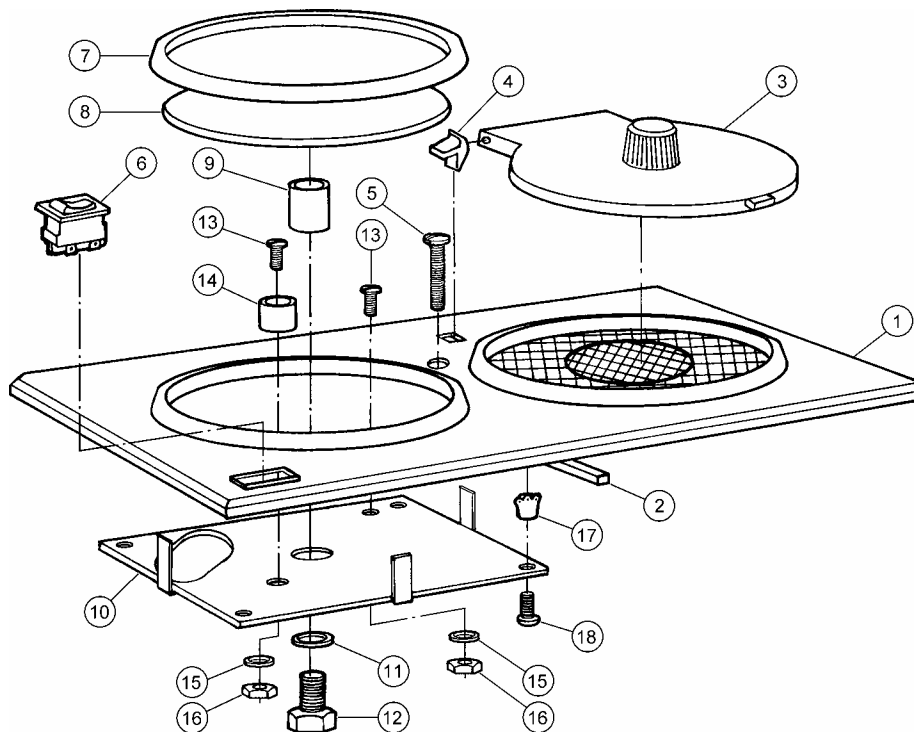
Item	Part #	Description
1.	6001007	Porcelain Pan, Brown
2.	1039032	Element Replacement Kit, PTC (Includes items 2, 3, 5, 7, 8, 9, 10 & 11.)
3.	6000578	Spacer, Element
4.	6004021	Bracket
5.	9303115	Lock Washer, Internal Tooth, 5/16"
6.	9010115	Screw, Hex Head, 5/16" – 18 x 3/4"
7.	9001107	Screw, #8-32 x 1/2"
8.	9905350	Eyelet, Anti-Rotation
9.	9301106	Washer, #10, S/S
10.	9303118	Lock Washer, External Tooth, #8
11.	9201145	Hex Nut, #8-32



Parts List - 1030801 - 3 Station Top Cover

Diplomat II Pour-Over Coffee Brewer

Item	Part No.	Description
1.	1030993	Top Cover, 3 Station, (Without warmer element, with cover & 2 hinge inserts.)
2.	6000282	Gasket, Top Cover
3.	1039027	Cover Kit, (Includes cover & 2 hinge inserts.)
4.	1040062	Hinge Insert
5.	9003131	Screw, Flat Head, #6-32 x 1-3/4"
6.	9919461	Rocker Switch, Amber, (To replace a switch that has 3 terminals.)
	1039080	Rocker Switch Kit, Red, (Replaces 9919348) (To replace a switch that has 4 terminals.)
7.	6001007	Porcelain Pan, (Without warmer element.)
8.	1039037	3 Station Element Kit, (Includes items 9, 10, 11, 13, 14, 15, 16.)
9.	6000582	Spacer, Large
10.	1030445	Reflector Plate
11.	9303115	Lock Washer, Internal Tooth, 5/16"
12.	9010121	Screw, Hex Head, 5/16" - 18 x 1/2"
13.	9001107	Screw, #8-32 x 1/2"
14.	6000590	Spacer, Small, Anti-Rotation
15.	9303118	Lock Washer, #8
16.	9201145	Hex Nut, #8-32
17.	9906398	Fastener, On-Sert
18.	9005135	Screw, #6 x 3/8"



1030801 - 3 Station Top Cover Installation Instructions Diplomat II Pour-Over Coffee Brewer

WARNING:

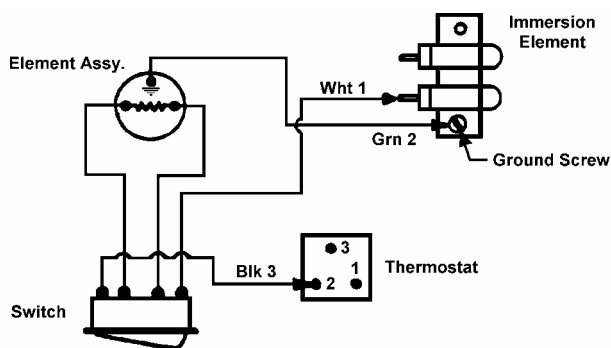
Read these instructions completely before continuing. Unplug the appliance and allow it to cool before attempting to install this top cover.

Incorrect installation or operating procedures will void the warranty and may damage this appliance.

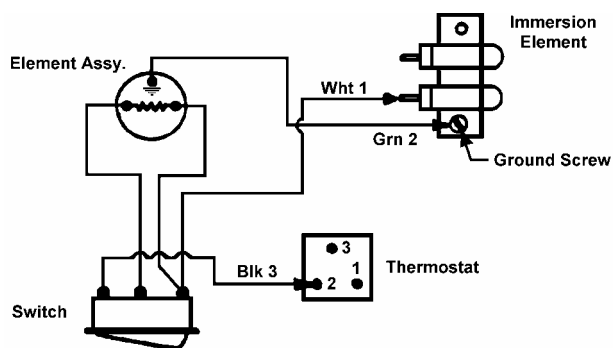
This appliance must be electrically grounded to prevent electric shock or injury to the operator.

1. Remove the existing top cover. If there are any wires connected to the top cover, remove them.
2. Determine the type of switch the new top cover has, and use the appropriate diagram below when attaching the wiring from the new top cover.
3. Attach the white wire (#1 on the diagram below), from the new top cover to the group of white wires on the immersion element.
4. Attach the black wire (#3 on the diagram below), from the new top cover to the black wires on the thermostat terminal #2. There should be a terminal available for this connection.
5. Attach the green wire (#2 on the diagram below), from the new top cover to the ground screw on the immersion element.
6. Place the top cover on top of the housing, making sure the channels in the top cover line up with the housing edges. Tap firmly on each corner of the top cover to snap the cover in place. Install the top cover screw and tighten snug only. Test thoroughly.

(See the wiring diagram on the inside of the coffee brewer for complete wiring details.)



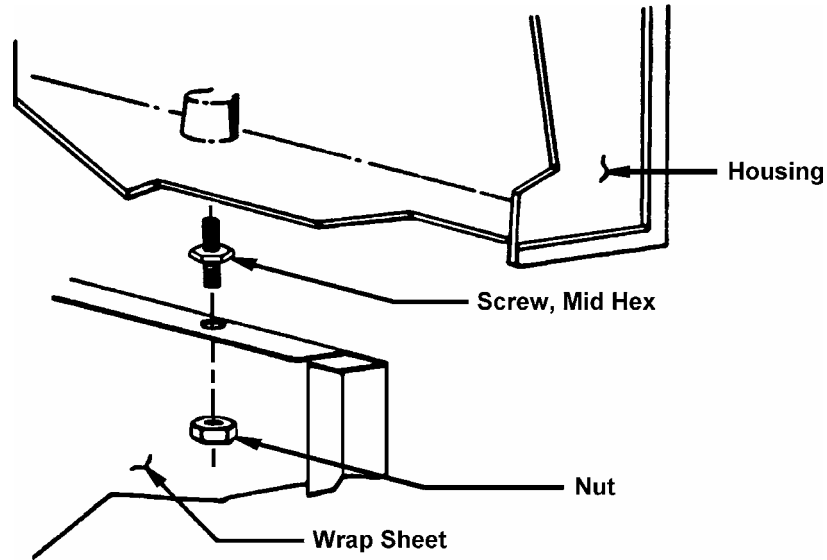
1039080 – Switch, Red
Switch with 4 terminals.



9919461 – Switch, Amber
Switch with 3 terminals.

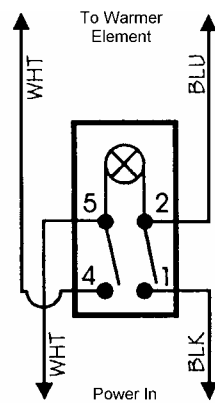
Revised Housing Attachment Diplomat II Pour-Over Coffee Brewer

See the diagram below for the revised method of attaching the housing to the wrap sheet. See the parts diagrams for part numbers.

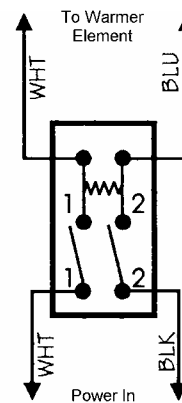


Switch Wiring To Replace The 9919348 Switch With A 1039080 Switch Kit

The 9919348 warmer switch has been replaced by a new switch replacement kit. Refer to the diagrams below for wiring this new switch kit.



1039080
Kit, Switch Replacement
Current Switch



9919348
Switch, Rocker
Previous switch



20333 S. Normandie Ave., Torrance, CA 90502
800-421-6860 • 310-787-5444 • Fax 310-787-5412
E-mail: brew@brewmaticusa.com